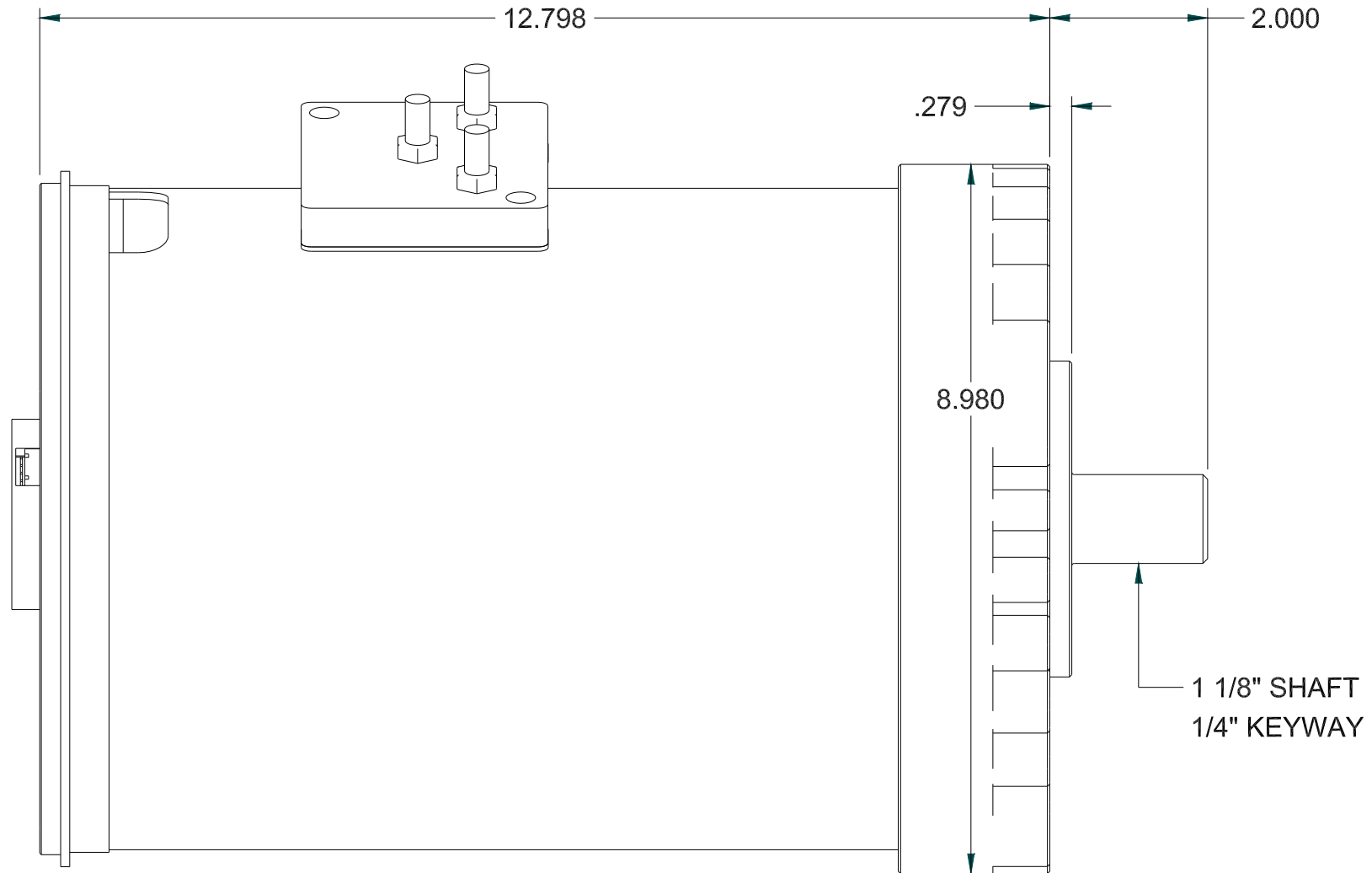


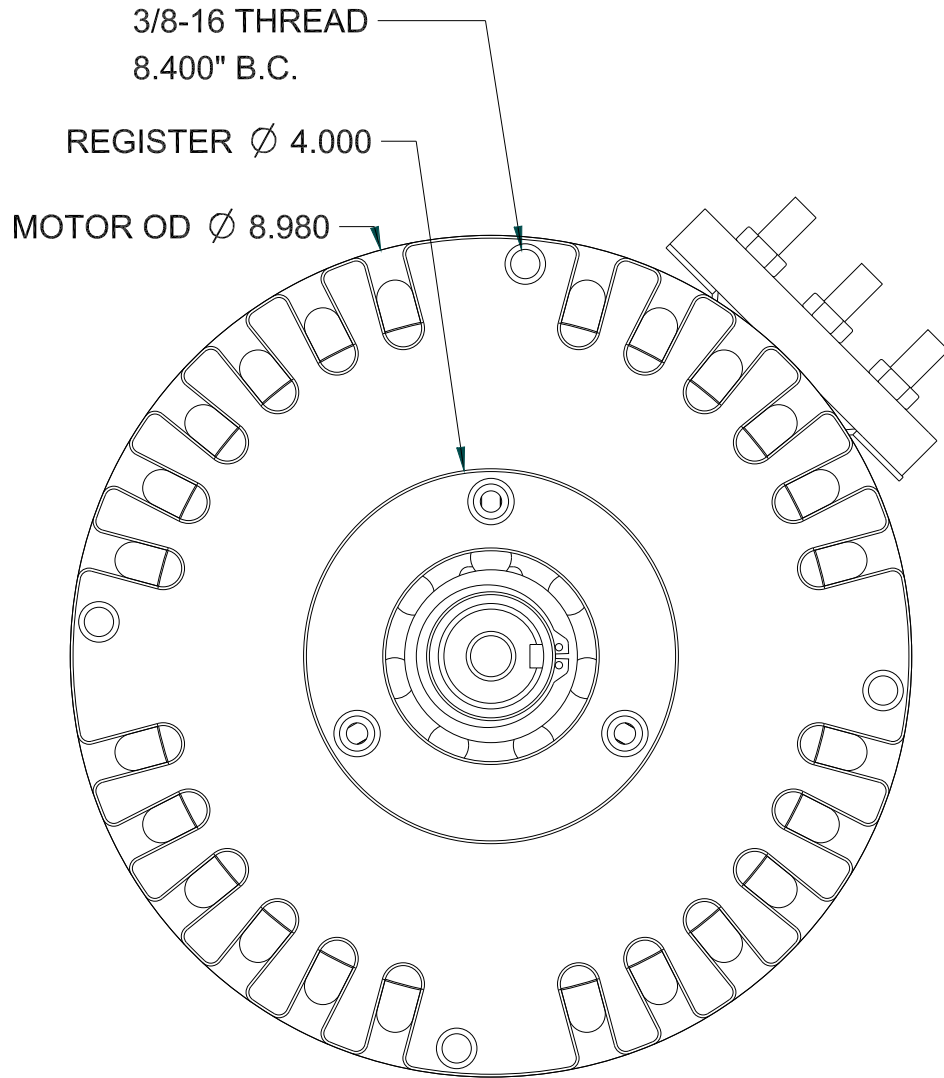
AC31-01-1



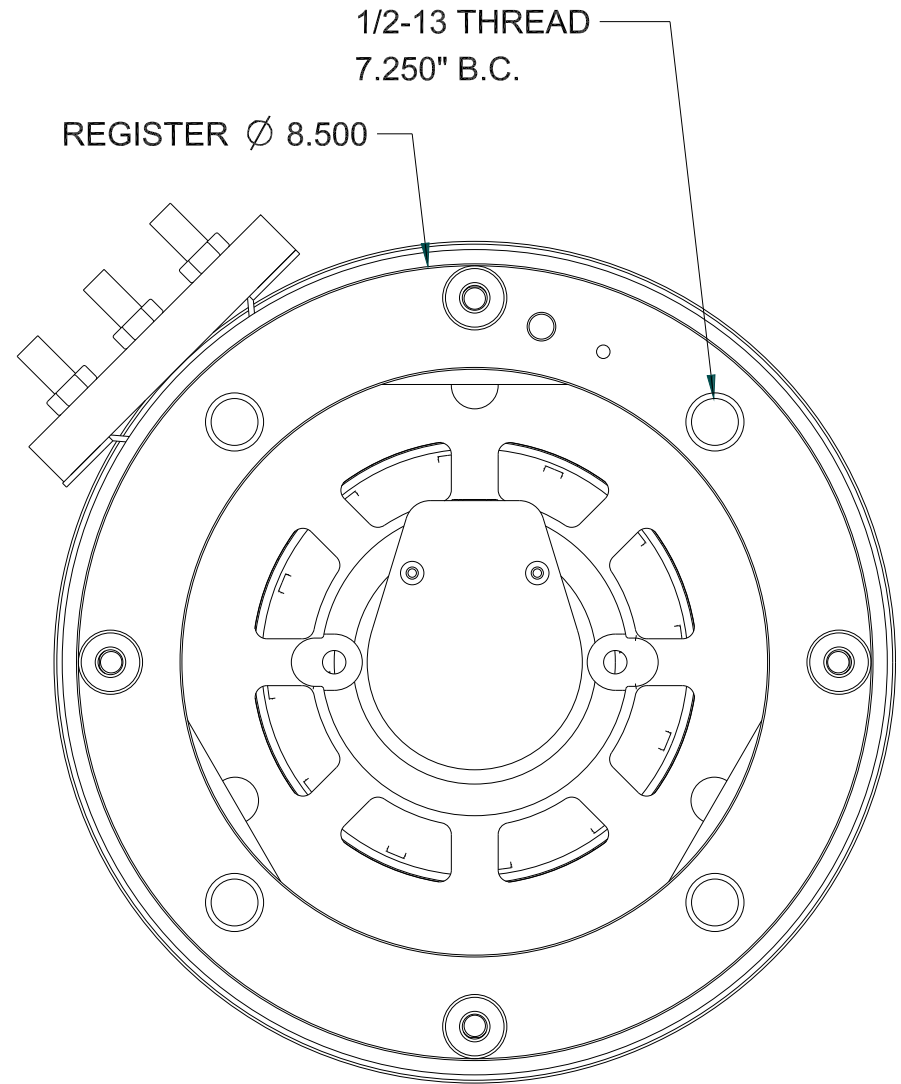
SIDE VIEW

MODEL NO.		HI PERFORMANCE GOLF CARS
AC31-01-1		
	DATE : 03-02-2009	REV 1

AC31-01-1



DRIVE END



ENCODER END

MODEL NO.		HI PERFORMANCE GOLF CARS
AC31-01-1		
DATE : 03-02-2009		REV 1